

Signal-3
Country of origin:
Russia

This Supplement chapter is a follow up and should be read in conjunction with the 'Signal' section in the 'USSR' chapter of WftW Volume 4 for more information.

DATA SUMMARY

Organisation: GRU.

Year of Introduction: 1941.

Receiver:

Version 1: Mixer, local oscillator, IF, AF; IF 460kHz.

Version 3: RF, detector with reaction, AF stage 2x.

AM R/T and CW.

Frequency coverage: 2-21MHz in 5 ranges (Depending on version).

Valves: Ver. 1: 6K1 (2x), 6C1 (2x); Ver. 3: 6K7 (3x), 6C4.

Power: 110-250v AC mains.

Size (cm): Height 6.5, width 18, depth 22.

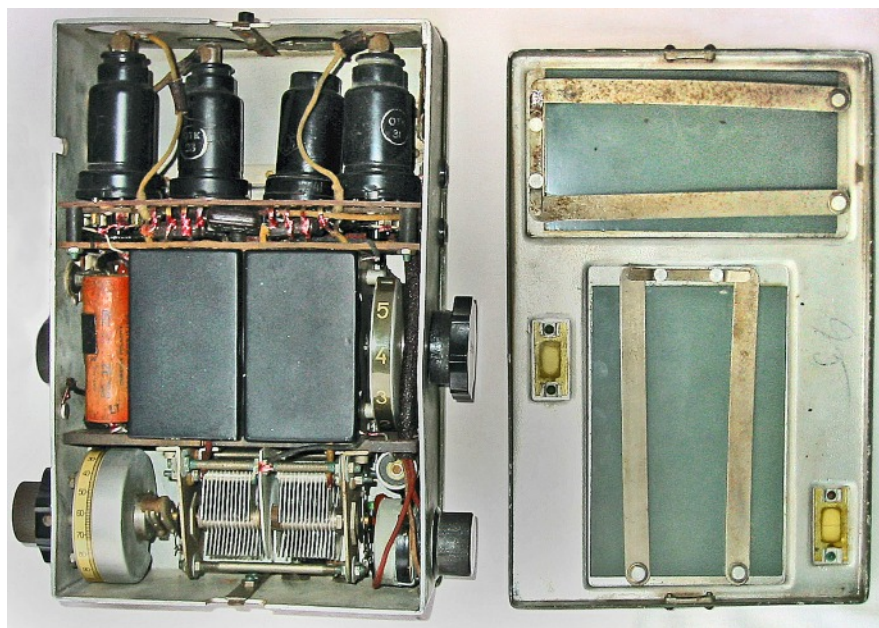
Weight: 1.7kg; Complete set 2.5kg.

REMARKS

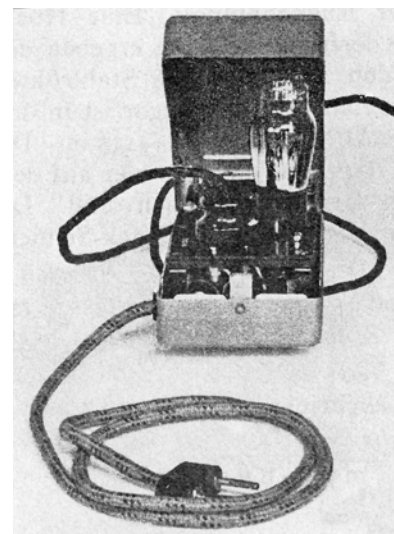
Signal (Russian = Сигнала) was a miniature short wave receiver recorded to be issued with the type 'Jack' (Russian=Джек) transmitter. Four versions of the receiver were noted of which only version 1 and 3 could be identified.

Version 1 was a superheterodyne with reaction IF, using four Russian made acorn tubes (see next page for an illustration and circuit diagram). It covered a single frequency range.

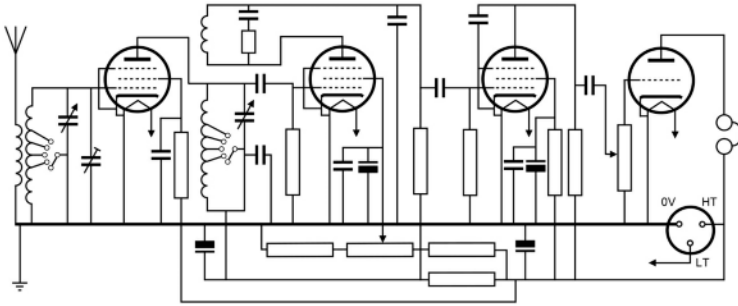
Version 3 was a TRF with RF stage, detector with reaction and two AF stages. It had five frequency ranges. The four steel type valves were manufactured in a Russian plant. Both version 1 and 3 were powered by a separate AC mains power pack via a 3-point plug and cable. No details were found on version 2 and 4 at the time when compiling this chapter.



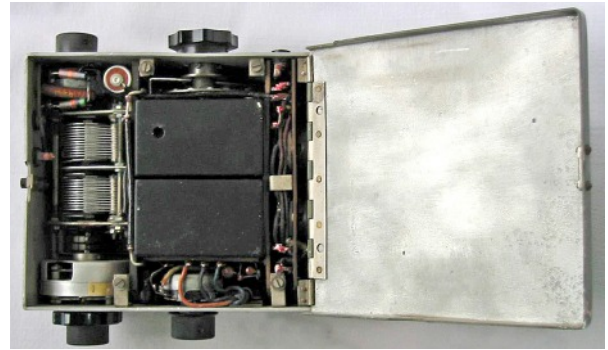
Internal view of Signal-3. Tuning condenser with speed reduction drive at the bottom; coils with frequency range switches (in two black boxes) in the centre, and the four valves at the top.



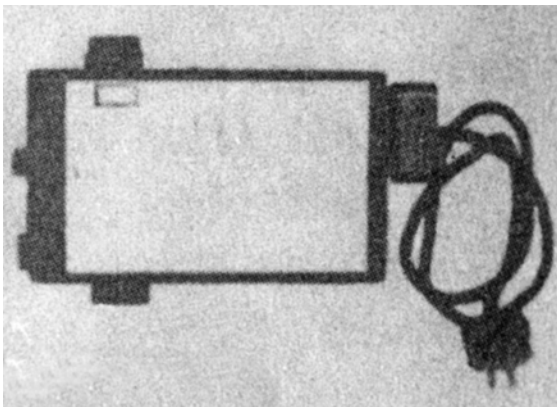
AC mains power supply unit.



Circuit diagram Signal-3.

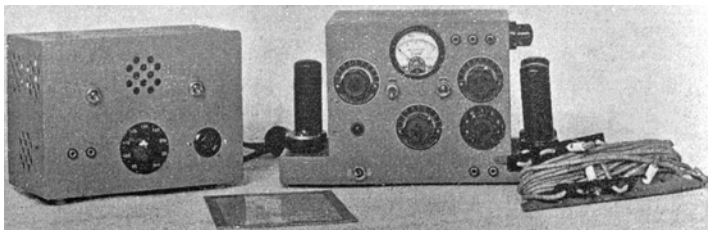
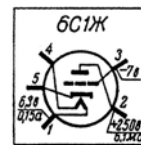
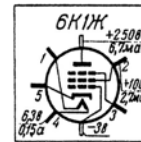
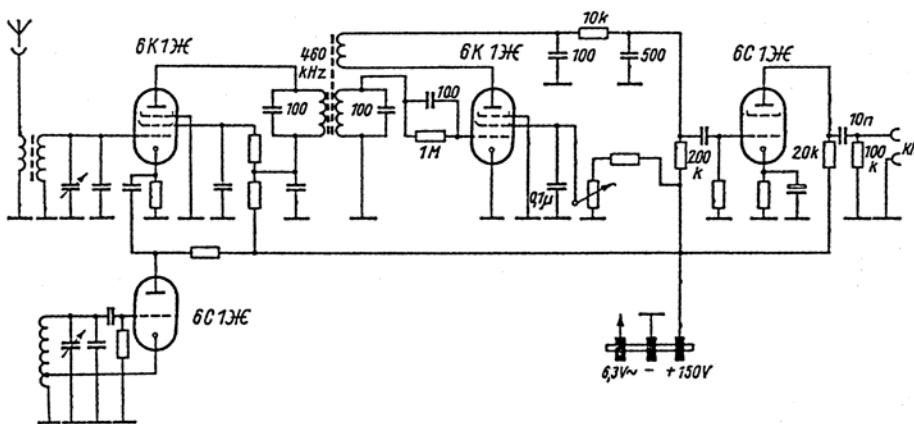


Bottom view of Signal-3.



Signal-1

Signal-1 had only two controls: tuning and reaction/volume. Power was provided via a 3-point connector and plug a the top of the receiver. The receiver circuit was a single range superheterodyne with a separate local oscillator and IF with reaction.



'Jack' transmitter with associated power pack.

References:

- Photos and information Alexander, Donesk, NDR.
- Der Funkpeilung der kurzen Wellen, Volume 1, Hauptamt Ordnungspolizei, Berlin, 1943.
- Forum.QRZ.ru: Агентурная радиосвязь (Agent radio), 2012. Wladimir, (RW4HO).